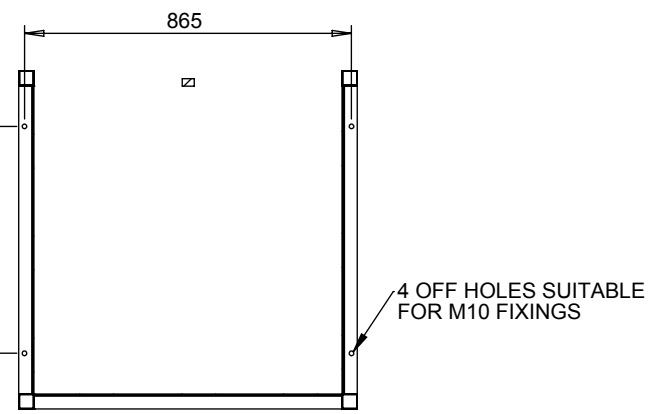


Shower suitable for use with 1-7 Bar  
 Recommended water inlet pressure 2 Bar  
 Inlet pipe work to be sized at a minimum of 1" NB  
 to supply 75LPM as per ANSI Z358. 12004



Certificate No. 6974

SECTION A-A

Description :				
ENCLOSED SHOWER				
Date	20/01/2010	Rev Date	20/01/2010	Drg No. PLAIN
A4	Scale 1:20	Weight Kg	Do not scale drawing	Rev 1
<b>PROPRIETARY AND CONFIDENTIAL</b>				
<small>THE INFORMATION CONTAINED IN THIS DRAWING IS THE SOLE PROPERTY OF SHOWERS &amp; EYEBATHS SERVICES LTD.          ANY REPRODUCTION IN PART OR AS A WHOLE WITHOUT THE WRITTEN PERMISSION OF Showers &amp; Eyebaths services LTD          IS PROHIBITED.</small>				
<small>Doc No. F 14 (A0)/Issue No. 1/Issue Date. 01/06/2007</small>				

**SHOWERS & EYEBATHS**



**www.safety-showers.com**  
 Tel +44(0)1744889677 Fax +44(0)1744885663