

PROPRIETARY AND CONFIDENTIAL

THE INFORMATION CONTAINED IN THIS DRAWING IS THE SOLE PROPERTY OF SHOWERS & EYEBATHS SERVICES LTD. ANY REPRODUCTION IN PART OR AS A WHOLE WITHOUT THE WRITTEN PERMISSION OF Showers & Eyebaths services LTD IS PROHIBITED.

Company :

DRAWN C.Yates
DATE 01/05/2009

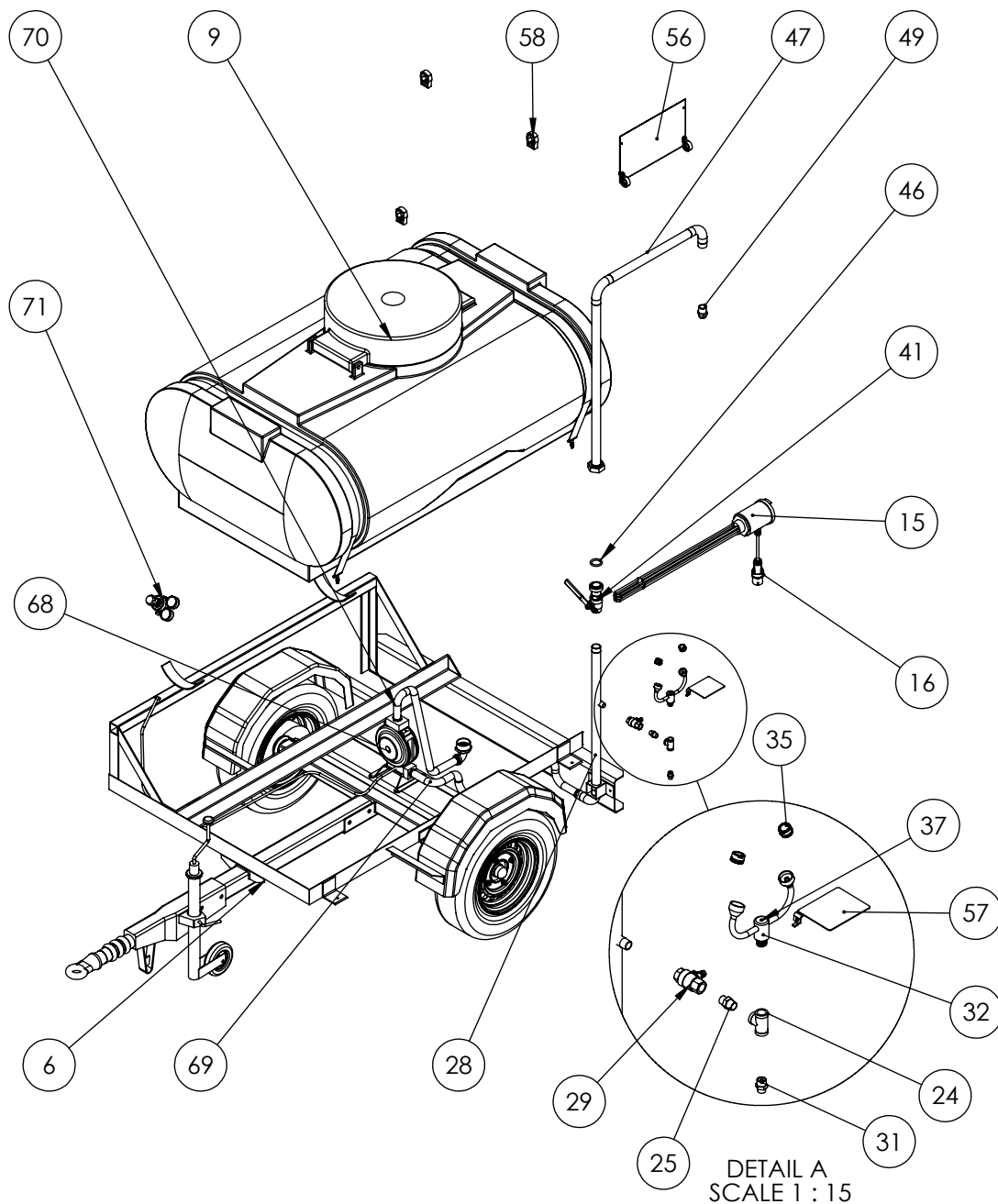
Description :
GPS12

Rev Date 07/05/2009
Drawing NO.

SHOWERS & EYEBATHS
Tel +44(0)1744889677 Fax +44(0)1744885663
www.safety-showers.com

Do not scale drawing





ITEM NO.	PART NUMBER	DESCRIPTION	QTY.
6	GPSC	Main Chassis	1
9	GPSB	Bowser body	1
15	HTR1FP	1 KW Flame proof heater	1
16	FPSP	Atex single phase 240V plug	1
24	15 SST	1/2" StSt tee	1
25	15 SSHXN	1/2" StSt hex nipple	1
28	GPSBP	Bottom pipework Assembly	1
29	15 SSBV	1/2" Stainless Ball valve	1
31	15 SDV	1/2" Auto drain Valve	1
32	EBCHA	Eyebath cow horn assembly	1
35	EBN	Eyebath nozzle	2
37	M816GB	M8 x 16 Grub screw	1
41	25 SSBV	1" Stainless Ball valve	1
46	40HUO	Union O ring	1
47	GPSTP	Top Pipework Assembly	1
49	N25 60	1" BSP Stainless Steel Nozzle 60 deg	1
56	sign	Sign complete	1
57	EWPP	Eyewash push plate	1
58	40 PCL	40mm Pipe clip	3
68	PUMPP	Air operated pump	1
69	GPSOP	Outlet pipework Assembly	1
70	GPSIP	Inlet pipework Assembly	1
71	REG	Single stage regulator	1

PROPRIETARY AND CONFIDENTIAL

THE INFORMATION CONTAINED IN THIS DRAWING IS THE SOLE PROPERTY OF SHOWERS & EYEBATHS SERVICES LTD. ANY REPRODUCTION IN PART OR AS A WHOLE WITHOUT THE WRITTEN PERMISSION OF Showers & Eyebaths services LTD IS PROHIBITED.

Company :

DRAWN	C.Yates	Description :	Rev Date	07/05/2009
DATE	01/05/2009	GPS12 Spares	Drawing NO.	

SHOWERS & EYEBATHS
 Tel +44(0)1744889677 Fax +44(0)1744885663
www.safety-showers.com

Do not scale drawing



YOUR SAFETY DEMANDS OUR QUALITY