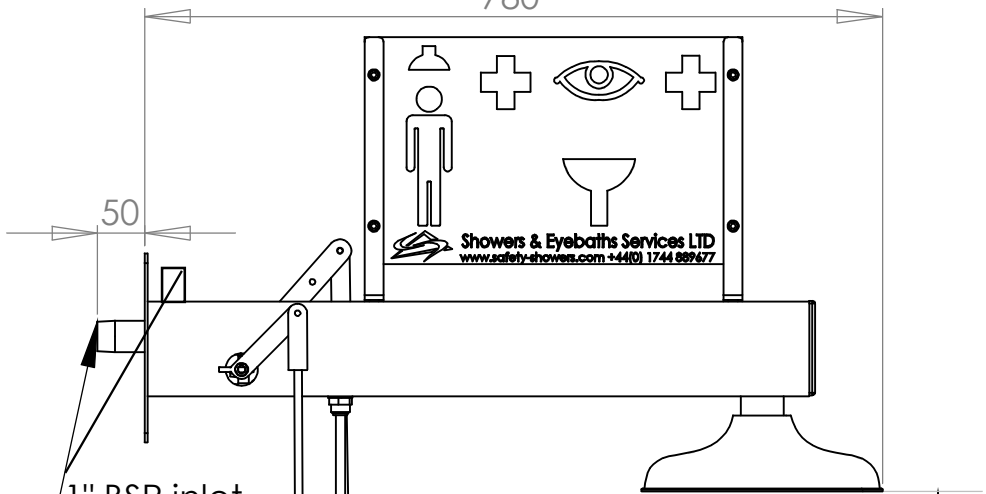


Eyewash pull handle

Shower pull handle

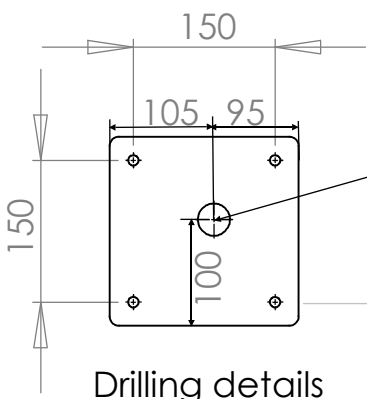


1" BSP inlet

Normally fitted on top  
(can be fitted at back if required)

Recommended height of 2100mm from floor

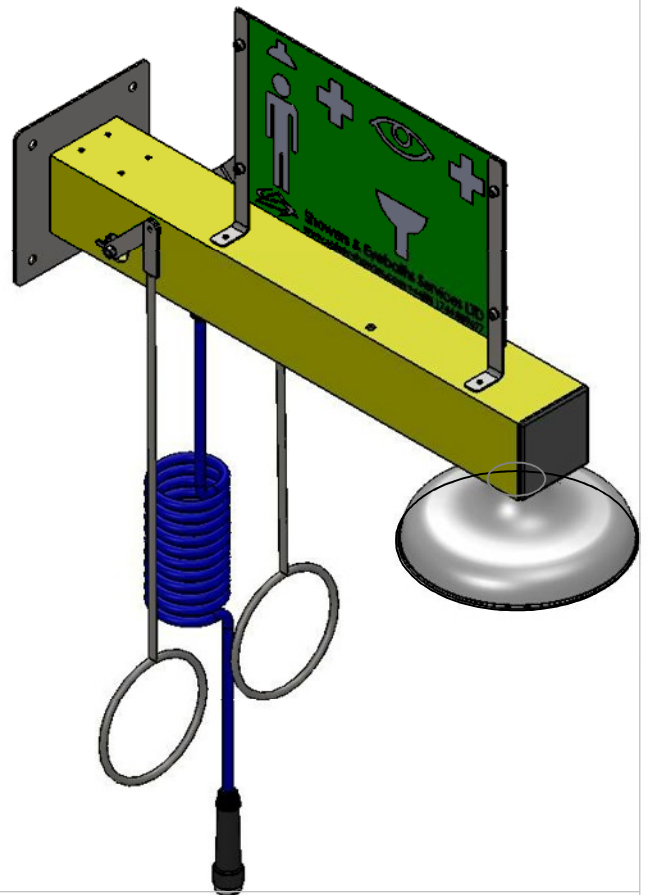
Eyewash



Drilling details

When inlet is back entry

2180mm from floor



DRAWN C.Yates    CHK'D    DATE 07/02/2008

Company :

Description : WMR + EW

**SHOWERS & EYEBATHS**

Tel +44(0)1744889677 Fax +44(0)1744885663

[www.safety-showers.com](http://www.safety-showers.com)



YOUR SAFETY DEMANDS OUR QUALITY

Rev Date    Drawing NO    Do not scale drawing

PROPRIETARY AND CONFIDENTIAL  
THE INFORMATION CONTAINED IN THIS DRAWING IS THE SOLE PROPERTY OF SHOWERS & EYEBATHS SERVICES LTD. ANY REPRODUCTION IN PART OR AS A WHOLE WITHOUT THE WRITTEN PERMISSION OF Showers & Eyebaths services LTD IS PROHIBITED.

Doc No. F 13/Issue No. 1/Issue Date. 01/06/2007